

HELSINKI EcoDesign

PANADERO

MEASURES

DIMENSIONS H x W x D	990x500x445 mm
GROSS/NET WEIGHT	122/113 kg
FIREWOOD ENTRANCE	432x337 mm
SMOKE FLUE	Ø 150-153 mm Top

CHARACTERISTICS

CAST IRON GRILL	
THREE-SIDED VISION	
STEEL BODY SHEET	5 mm
NOMINAL HEAT OUTPUT	8 KW
EFFICIENCY	78,5 %
CO EMISSIONS	0,10 %
HEAT RESISTANT PAINT	800°C
CERAMIC GLASS HEAT RESISTANCE	750°C

EAN 8426964181517
REF. PANADERO 18151

PRODUCT PLUS

ECODESIGN 2022



EXTERNAL AIR INTAKE



VERMICULITE LINING



WOOD LOG STORAGE



WOOD LOGS 50 CM



HEATING VOLUME



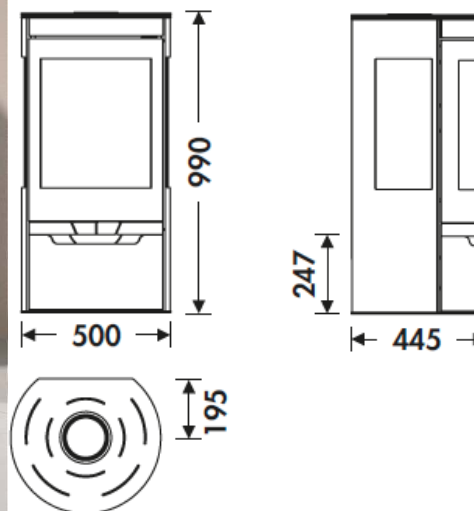
CLEAN GLASS SYSTEM



TRIPLE COMBUSTION



DOUBLE LOCK



Art. 15a B-VG **BImSchV2**



HELSINKI